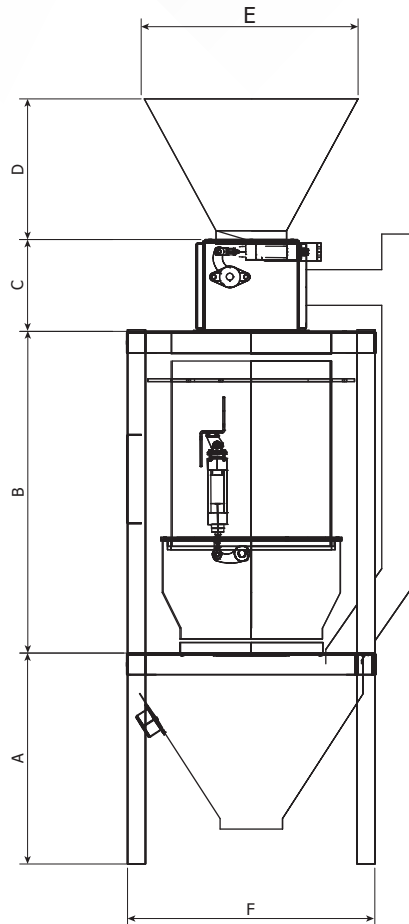




OTOMASYON
AUTOMATION
АВТОМАТИКА


RANDIMAN KANTARI
Extraction Scale
Поточные Весы


Type	Technical Features							
	Product (Wheat-Flour- Bran)*	Capacity (lt)	Capacity (t/h)			Aspiration (m ³)	Air Compressor (m/bar)	Weight (kg)
			Wheat	Flour	Bran			
ECO-RK-030	Wheat-Flour-Bran	30	2-5	0-3	0-1,5	8	5-6	300
ECO-RK-060	Wheat-Flour-Bran	60	3-10	1-6	1-3	10	5-6	325
ECO-RK-100	Wheat-Flour-Bran	100	5-25	4-15	2-6	12	5-6	375
ECO-RK-220	Wheat-Flour-Bran	220	10-50	6-30	3-15	12	5-6	585
ECO-RK-450	Wheat	450	50-100	---	---	16	5-6	1220
ECO-RK-700	Wheat	700	100-150	---	---	20	5-6	1415
ECO-RK-1500	Wheat	1500	150-300	---	---	28	5-6	2265



Type	Dimensions (mm)					
	A	B	C	D	E	F
ECO-RK-030	860	760	590	300	490	2140
ECO-RK-060	930	760	690	300	490	2240
ECO-RK-100	1030	860	760	300	490	2410
ECO-RK-220	1400	1240	930	930	815	3345
ECO-RK-450	1870/1200	1350	1000	1000	900	3670
ECO-RK-700	1870/1300	1550	1000	1000	1150	4120
ECO-RK-1500	1870/1600	1800	1800	1465	1550	5235

ECO-05-101 Programlanabilir Dijital GösterECO-ELi Debimetre

Flow - Meter With Programmable Digital Indicator
 Расходомер с Программируемым Цифровым Индикатором



Code	Type	Capacity (t/h)	Water Pressure (bar)	Air Pressure (bar)	Max. Water Temperature
ECO-05-101	1000	3 - 300	2 - 4	4 - 6	50°C
	1000	10 - 1000	2 - 4	4 - 5	50°C
	2500	25 - 2500	2 - 4	4 - 6	50°C
	4000	50 - 4000	2 - 4	4 - 6	50°C

ECO-05-102 Dijital GösterECO-ELi Manuel Debimetre

Manual Flow - Meter With Digital Indicator
 Механический Расходомер с Цифровым Индикатором



Code	Feet Voltage	Feet Power	Air Pressure (bar)	Water Temperature	Analogue Output	Litre Range (Lt/h)
ECO-05-102	220 DCV	30 W	4 - 6	80° C (Max.)	4 - 20 mA	50 - 4500

ECO-05-103 Elektro Valf Kontrollü Mekanik Debimetre

Mechanic Flow - Meter With Electro - Valve Controlling
 Механический Расходомер с Электрическим Клапаном



Code	Feet Voltage	Feet Power	Air Pressure (bar)	Water Temperature
ECO-05-103	220 DCV	25 W	4 - 6	20° C (Max.)

ECO-05-104 Hava Kontrollü Mekanik Debimetre

Air - Controlled Mechanical Flow - Meter
 Механический Расходомер с Воздушным Клапаном



Code	Feet Voltage	Feet Power	Air Pressure (bar)	Water Temperature
ECO-05-104	220 DCV	25 W	4 - 6	20° C (Max.)

ECO-05-105 Çift Proflu Kapasitif Sensör ve Analog Çeviricisi

Double Probe Capacitive Sensor and Analog Converter
Датчик Уровня (Двухстороний)



Code	Operation Voltage	Screen Type	Power Consumption	Analog Output
ECO-05-105	24V DC	2 Digit Digital Screen	10W	1 Unit 4 - 20 mA

Digital Input	Digital Output	Protection Glass	Prop Lenght	Operation Temperature
2 Unit 24V DC	2 Unit Relay NO-5A/220V AC	IP 64	50 (cm)	-10°C / 60°C

ECO-05-106 Çift Proflu Kapasitif Seviye Sensörü (50-125cm)

Double Probe Capacitive Level Sensor (50-125cm)
Датчик Уровня (Двухстороний) (50-125 см)



Code	Operation Voltage	Power Consumption	Digital Input	Protection Glass	Prop Lenght	Operation Temperature
ECO-05-106-50	24V DC	10W	1 Unit Relay NO-5A/220V AC	IP 64	50 (cm)	-10°C / 60°C
ECO-05-106-125	24V DC	10W	1 Unit Relay NO-5A/220V AC	IP 64	125 (cm)	-10°C / 60°C

ECO-05-107 Çift Proflu Kapasitif Seviye Sensörü (Eğik Milli)

Double Probe Capacitive level Sensor (With Sloped Shaft)
Датчик Уровня (Изогнутый)



Code	Operation Voltage	Power Consumption	Digital Input	Protection Glass	Prop Lenght	Operation Temperature
ECO-05-107	24V DC	10W	1 Unit Relay NO-5A/220V AC	IP 64	50 (cm)	-10°C / 60°C

ECO-05-108 Dijital Kapasitif Seviye Sensörü (Düz Milli)

Digital Capacitive Level Sensor (with Plain Shaft)
Датчик Уровня (Цифровой)



Code	Operation Voltage	Power Consumption	Digital Input	Protection Glass	Prop Lenght	Operation Temperature
ECO-05-108	24V DC	2W	1 Relay Optional 1+1 NO-5A/220V AC	IP 54	50 (cm)	-10°C / 60°C

ECO-05-109 Dijital Kapasitif Seviye Sensörü (Eğik Milli)

Digital Capacitive Level Sensor (with Sloped Shaft)
 Датчик Уровня Цифровой (Изогнутый)



Code	Operation Voltage	Power Consumption	Digital Input	Protection Glass	Prop Lenght	Operation Temperature
ECO-05-109	24V DC	2W	1 Relay Optional 1+1 NO-5A /220V AC	IP 54	22 (cm)	-10°C / 60°C

ECO-05-110 Dijital Kapasitif Seviye Sensörü (Halatlı)

Digital Capacitive Level Sensor (With Rope)
 Датчик Уровня Цифровой (с Тросом)



Code	Operation Voltage	Power Consumption	Digital Input	Protection Glass	Prop Lenght	Operation Temperature
ECO-05-110	24V DC	2W	1 Relay Optional 1+1 NO-5A /220V AC	IP 54	150 (cm)	-10°C / 60°C

ECO-05-111 Tartım İndikatörü

Weighing Indicator
 Индикатор Взвешивания



Code	Operation Voltage	Screen Type	Resolution	Controller Voltage	Analog Output	Loadcell Input	Operation Temperature
ECO-05-111	24V DC	6 Digit Digital Screen	24 bit S-D ADC	24V DC	4 - 20 mA (max 250 Ω)	1 Unit 6-4 Terminal Loadcell	-10°C / 60°C

ECO-05-112 Flow Balancer Kontrol Ünitesi

Flow Balancer Control Unit
 Блок Управления



Code	Operation Voltage	Screen Type	Communication	Digital Input	Digital Output	Loadcell Input	Operation Temperature
ECO-05-112	24V DC	128x64 GLCD	ModBus RTU	3 Unit 24V DC	4 Unit NPN Transistor NO 5A/220V AC Relau	1 Unit 4 Terminal Loadcell	-10°C / 60°C

ECO-05-113 Zaman Rölesi

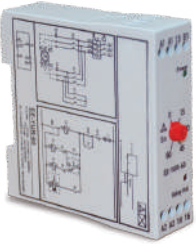
Time Relay
Реле Времени



Code	Operation Voltage	Power Consumption	Digital Output	Time Range	Operation Temperature
ECO-05-113	220 V AC 24V AC/DC	3W	1 Unit NO - NC 5A/220V AC	0 - 60 (sn)	-10°C / 60°C

ECO-05-114 Yıldız Üçgen Rölesi

Star Triangle Relay
Реле Времени



Code	Operation Voltage	Power Consumption	Digital Output	Time Range	Operation Temperature
ECO-05-114	220 V AC 24V AC/DC	3W	1 Unit NO - NC 5A/220V AC	0 - 60 (sn)	-10°C / 60°C

ECO-05-115 Flaşör Zaman Rölesi

Flasher Time Relay
Реле Времени (Флашор)



Code	Operation Voltage	Power Consumption	Digital Output	Time Range	Operation Temperature
ECO-05-115	220 V AC 24V AC/DC	3W	1 Unit NO - NC 5A/220V AC	0 - 60 (sn)	-10°C / 60°C

ECO-05-116 Dijital Potansiyelmetre

Digital Ampermeter
Цифровой



Code	Operation Voltage	Screen Type	Power Consumption	Resolution	Analog Input	Analog Outputn	Operation Temperature
ECO-05-116	220V AC	5 Digit Digital Screen	6 W	100 Skala	1 Unit 0 - 10 V DC	1 Unit 4 - 20 mA (max 250 Ω)	-10°C / 60°C